

TOWER UNIT SHELVES ONLY

(400 & 600mm wide)

Assembly Instructions

CONTENTS:

- A 1x Top panel
- B 1x Side panel (left)
- C 1x Side panel (right)
- D 6x Shelves
- E 1x Plinth panel

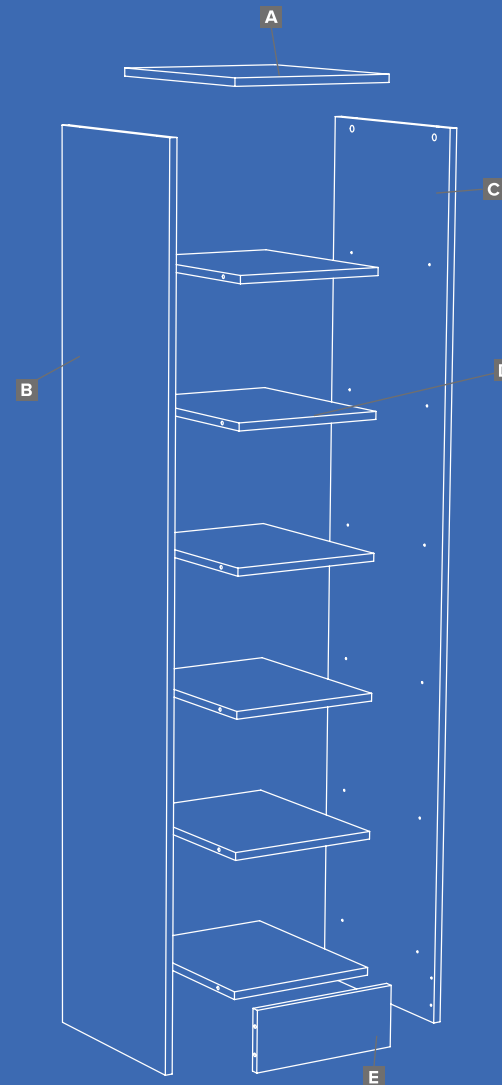


RECOMMENDED:

- TOOLS: Screwdriver
- TWO PERSON BUILD



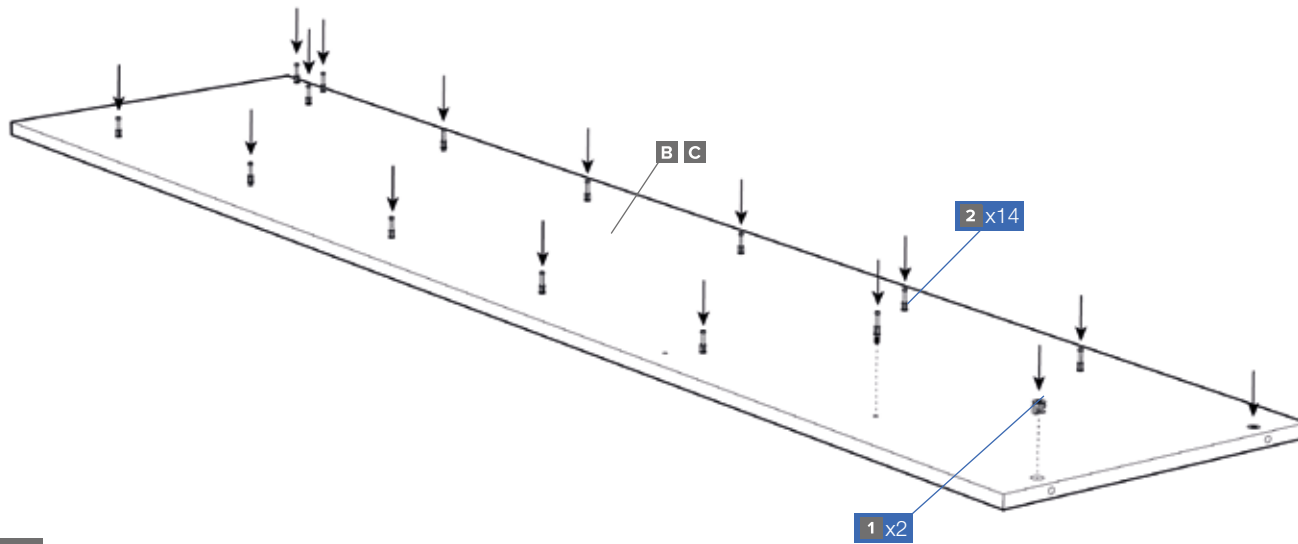
We recommend you use the Wall Mounting Brackets provided to fix the Tower Unit to a wall (where possible). This will prevent the unit being pulled over. Use suitable fixings.



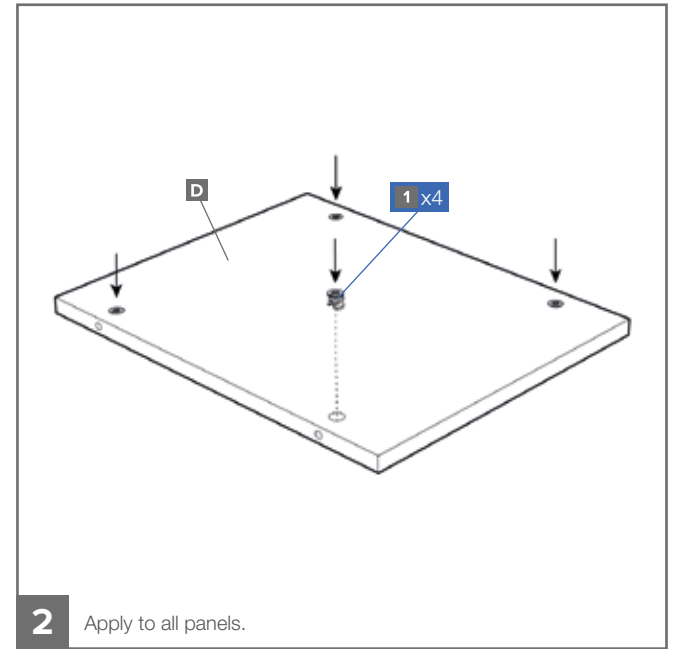
SCREWFIX
wardrobes.com

V1

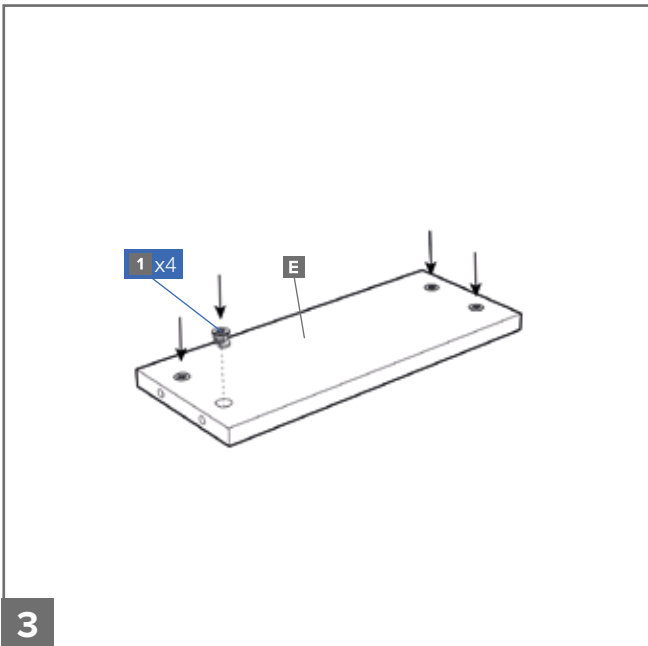
Note: B panel shown



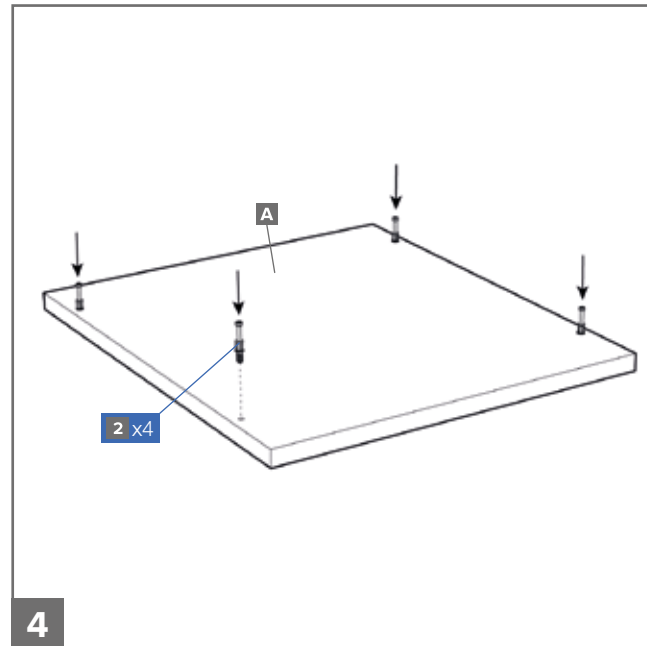
1 Lay panels (B & C) on a flat surface. Fit cams & dowels to both panels.



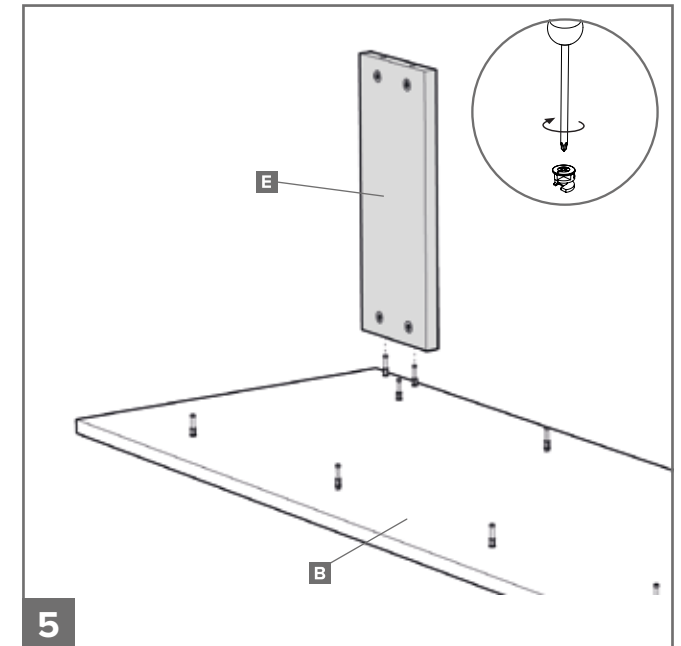
2 Apply to all panels.



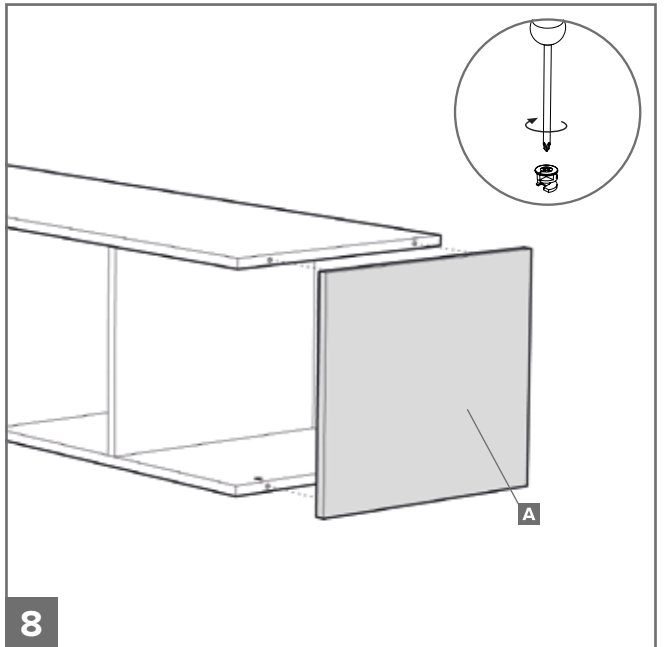
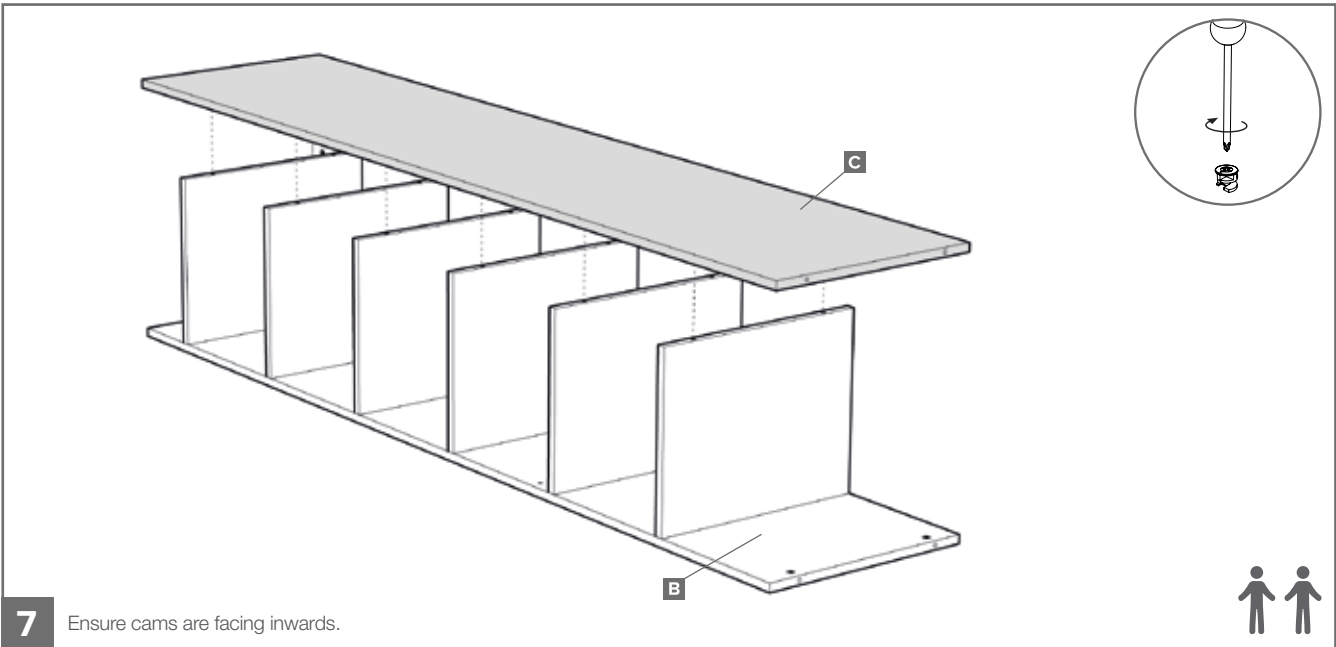
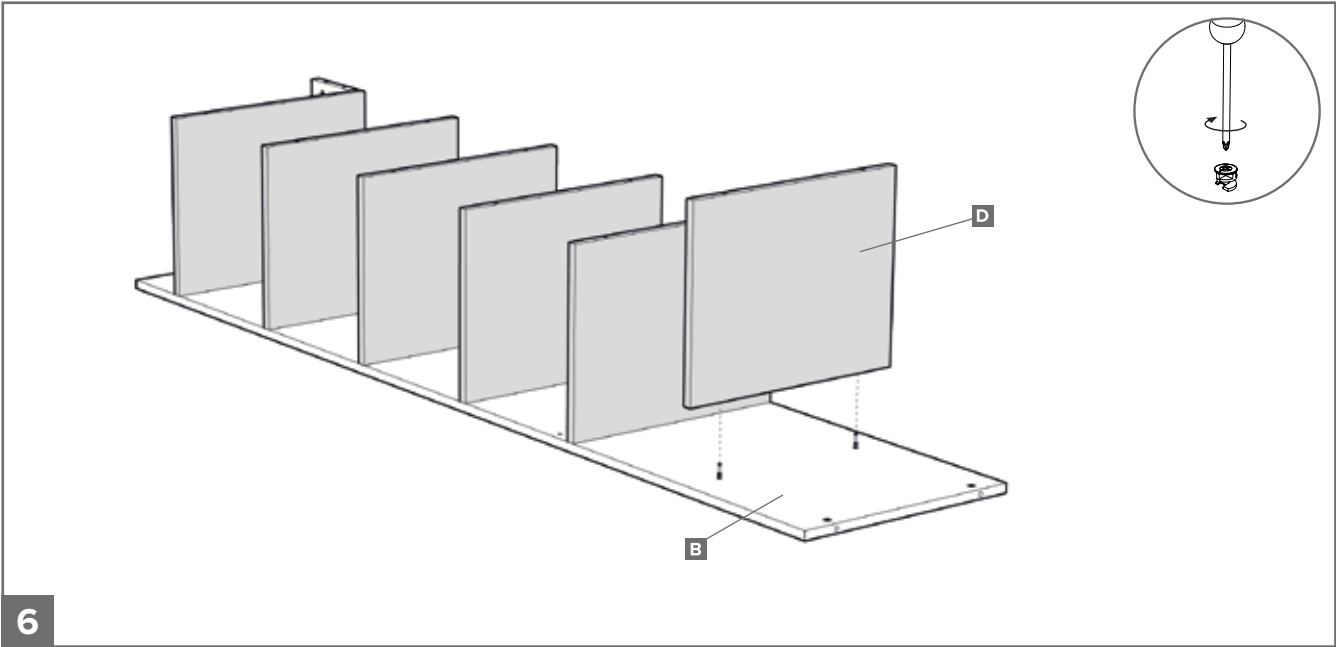
3

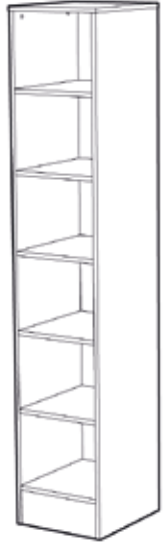


4



5



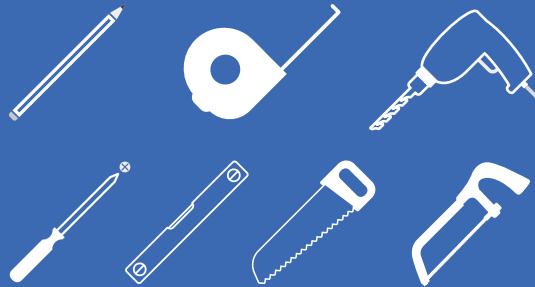


Use two people to stand up straight.

HOW TO FIT TOWER UNIT

Assembly Instructions

TOOLS REQUIRED:

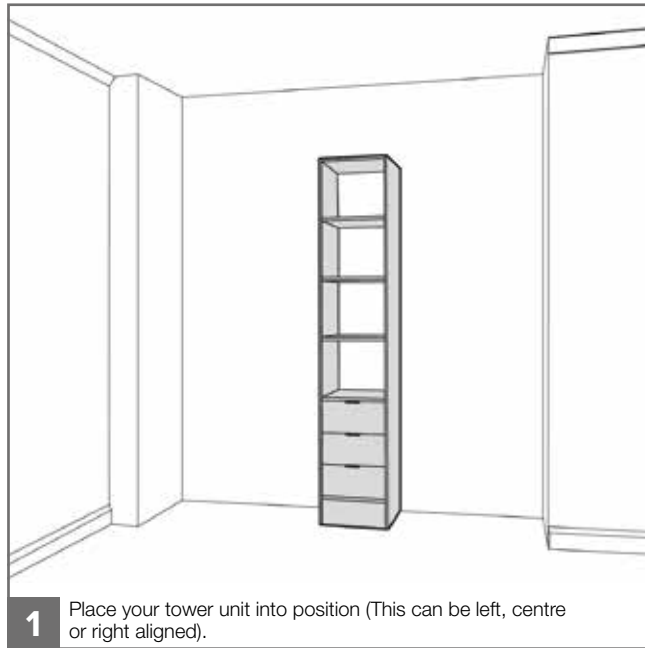


! Please check your opening for any hidden electrical wires and water pipes before / screwing.

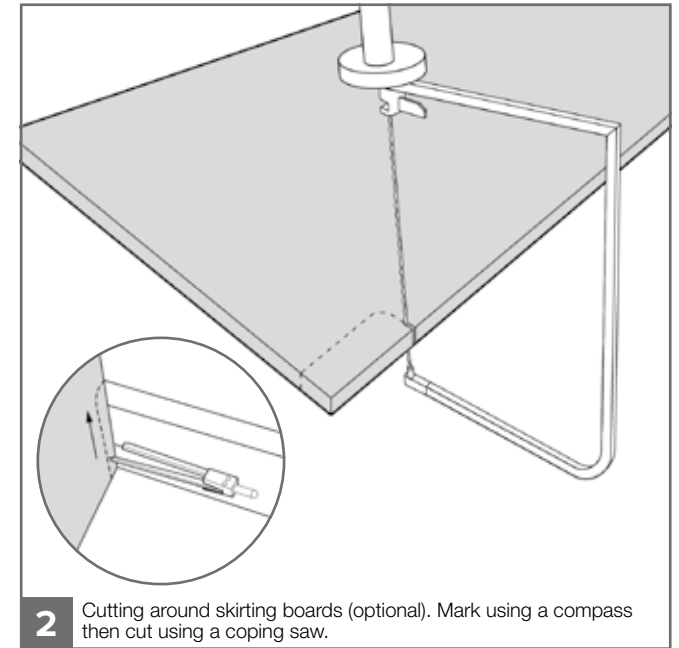
⊘ Screws not supplied. Use suitable screws and plugs.

SCREWFIX
wardrobes.com

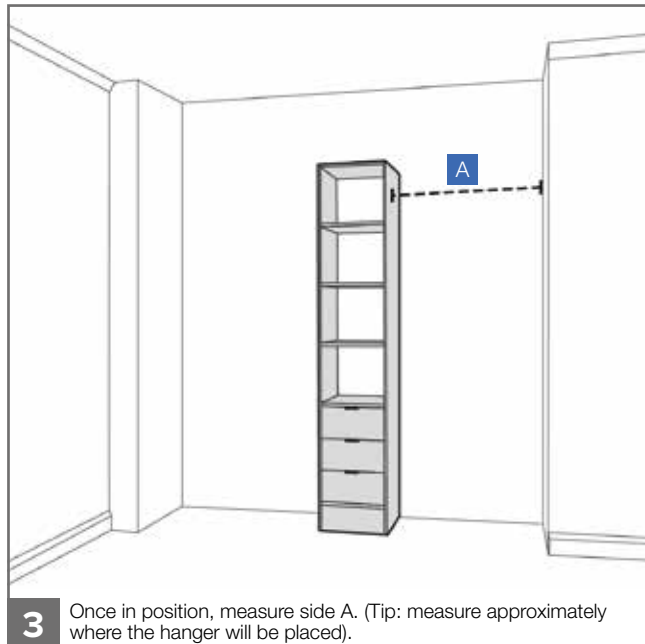
V1



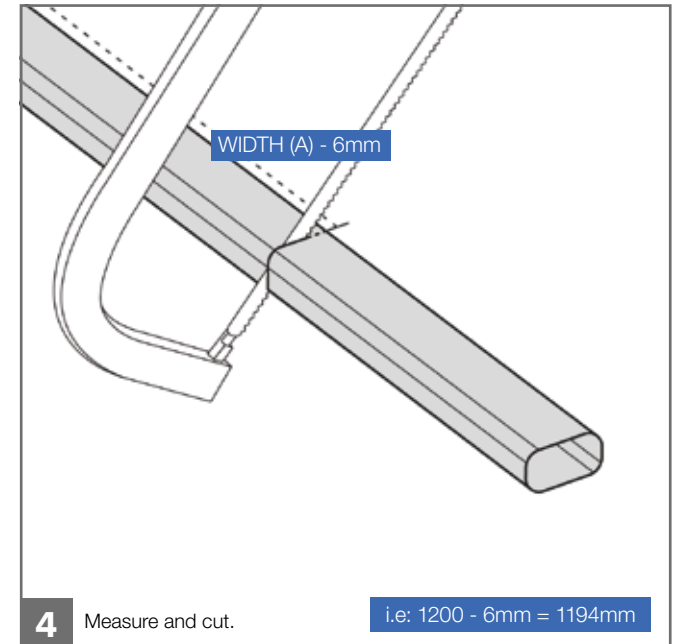
1 Place your tower unit into position (This can be left, centre or right aligned).



2 Cutting around skirting boards (optional). Mark using a compass then cut using a coping saw.

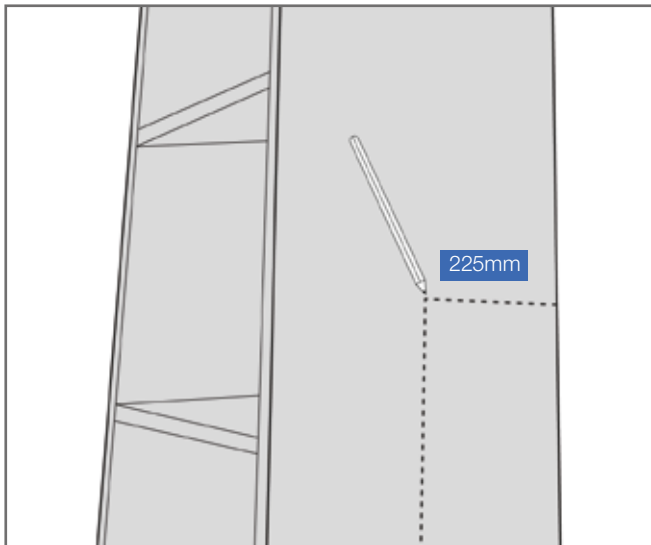


3 Once in position, measure side A. (Tip: measure approximately where the hanger will be placed).

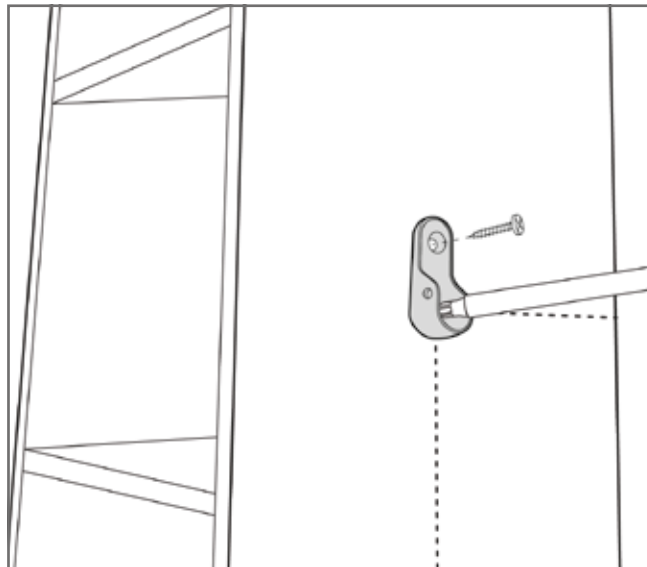


4 Measure and cut.

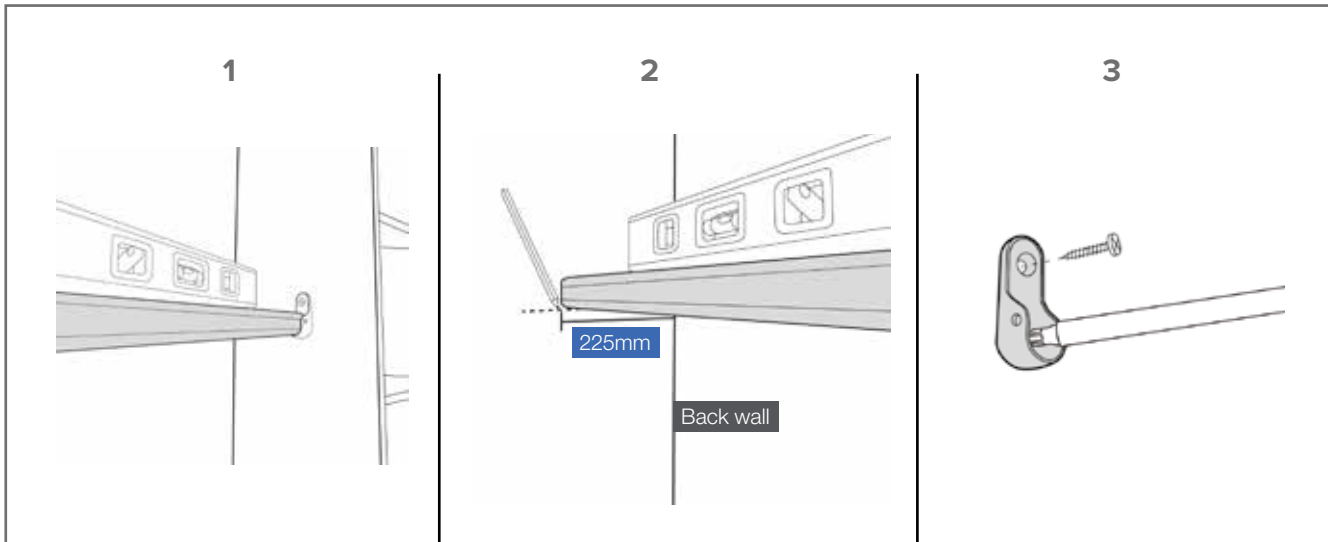
i.e: $1200 - 6\text{mm} = 1194\text{mm}$



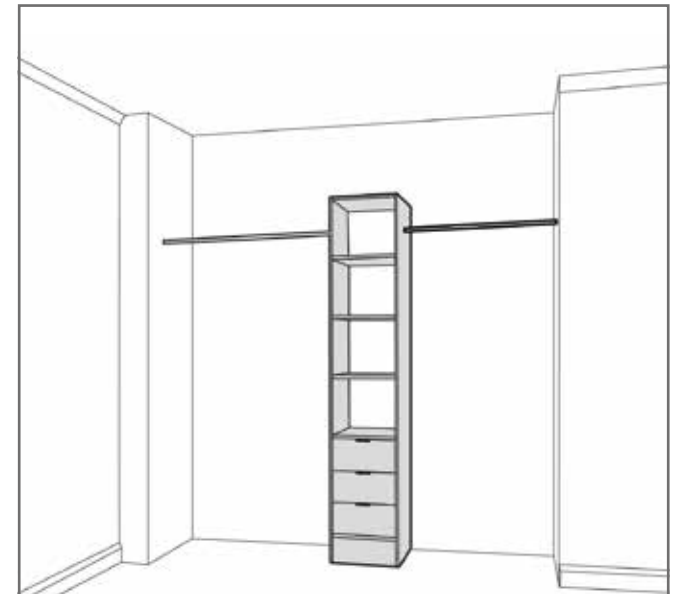
5 Mark the position of the hanger bar. By measuring in 225mm to the centre of the tower unit.



6 Fix first bracket through both holes. (We recommend 16mm screws).



7 Fitting the second hanger bar. 1- Place hanger bar into first bracket and level up. 2-Make sure to mark position on the side wall 225mm from the back wall. 3-Then fix into position.



8 Repeat 3-7 for remaining hanger bars.