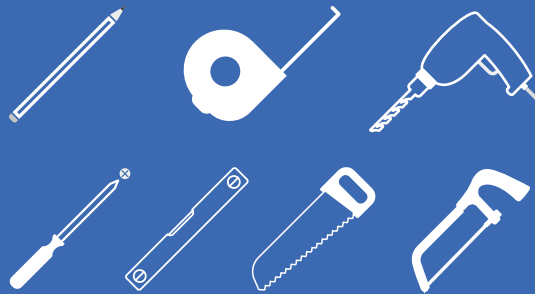


HOW TO FIT STANDARD STORAGE

Assembly Instructions

TOOLS REQUIRED:

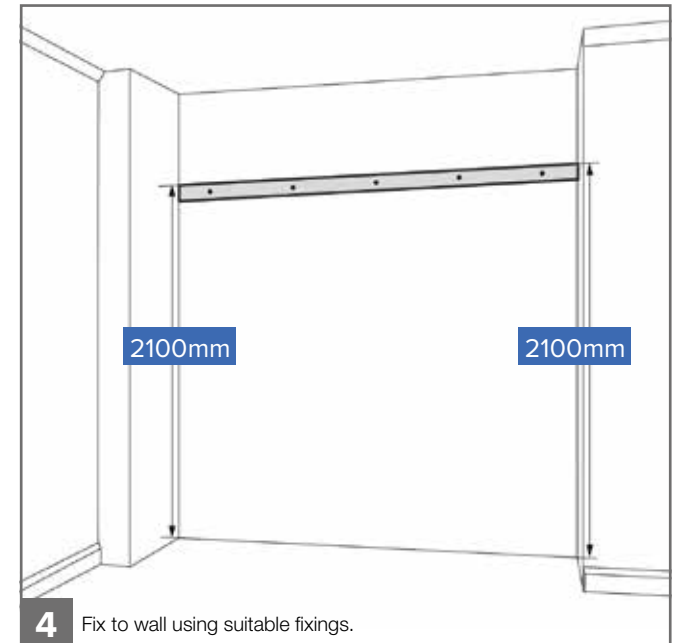
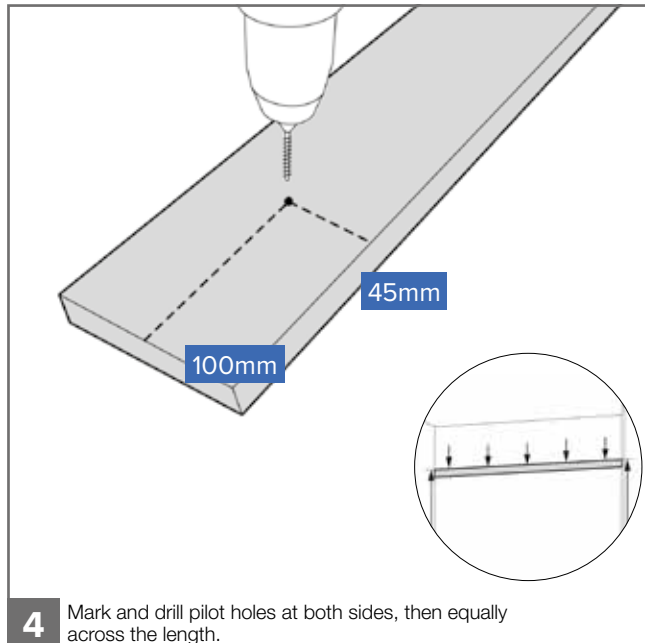
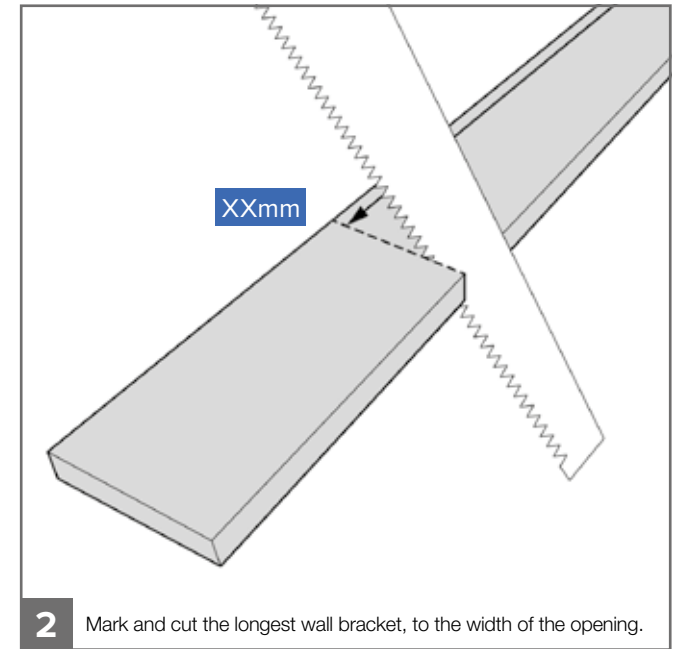
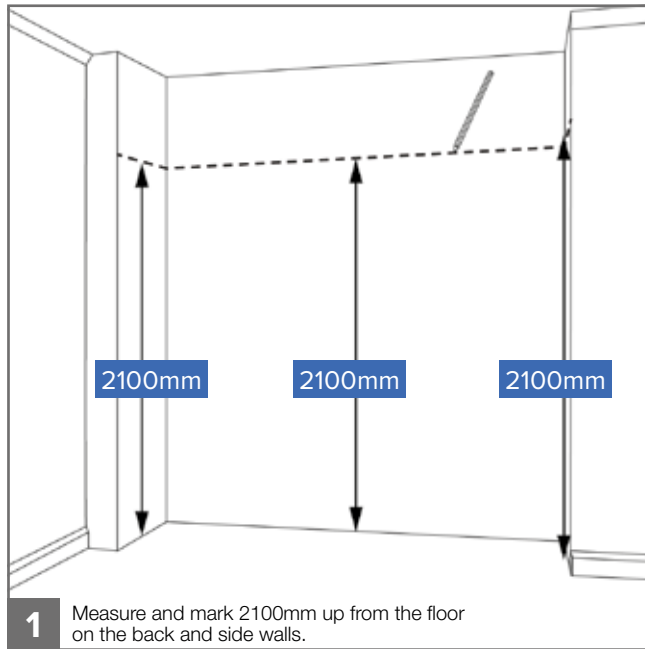


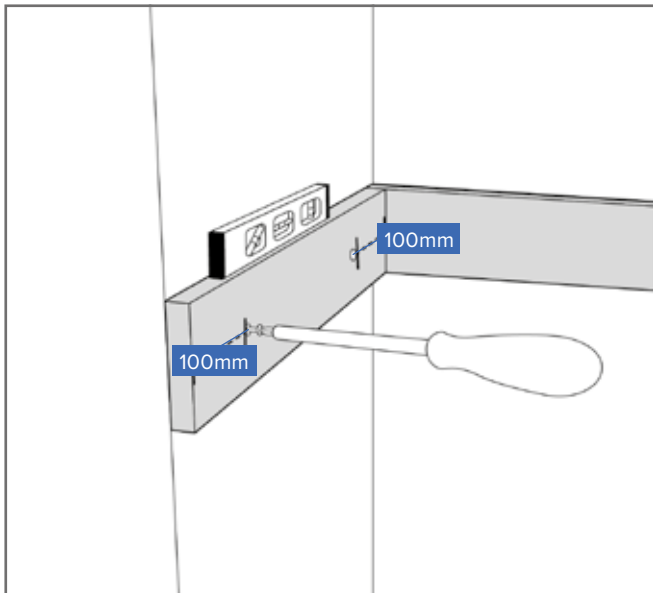
! Please check your opening for any hidden electrical wires and water pipes before / screwing.

⊘ Screws not supplied. Use suitable screws and plugs.

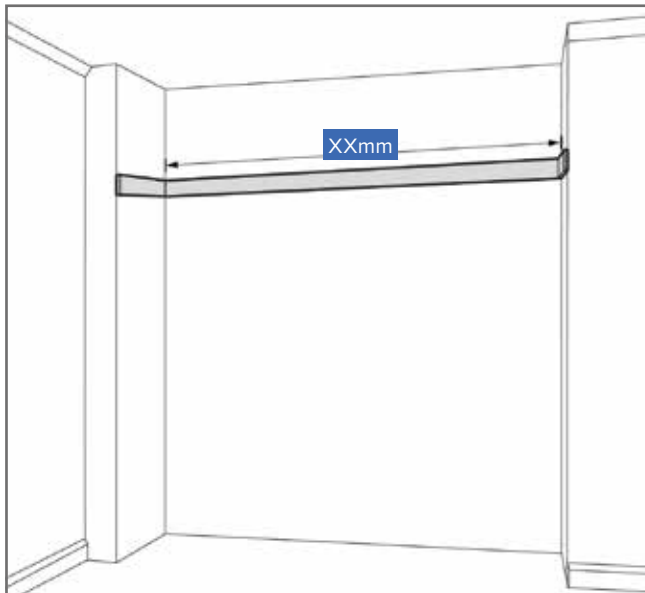
SCREWFIX
wardrobes.com

V1

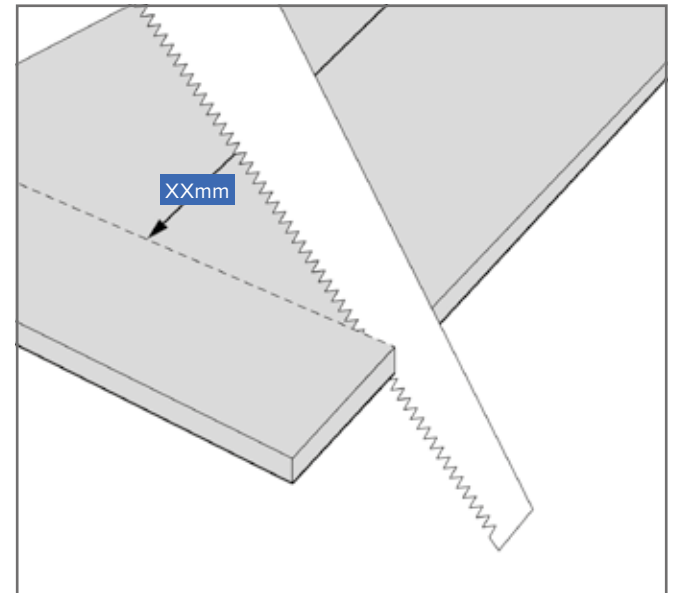




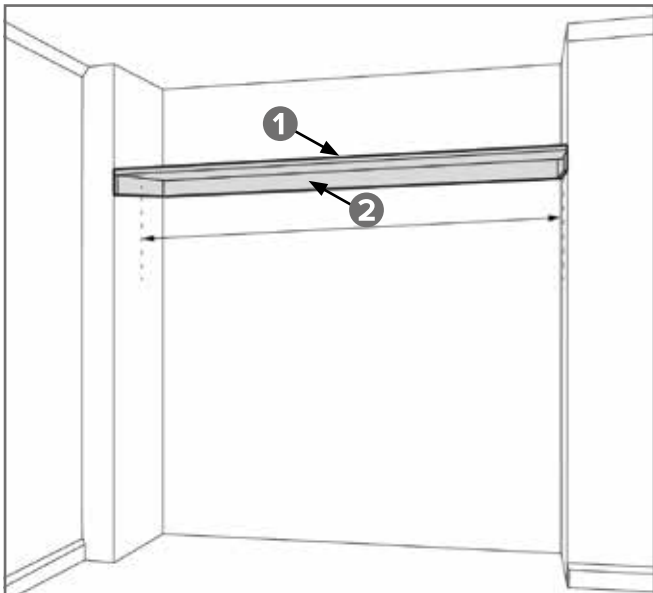
4 Level up the wall bracket and fix with x2 screws as shown. Repeat on both sides.



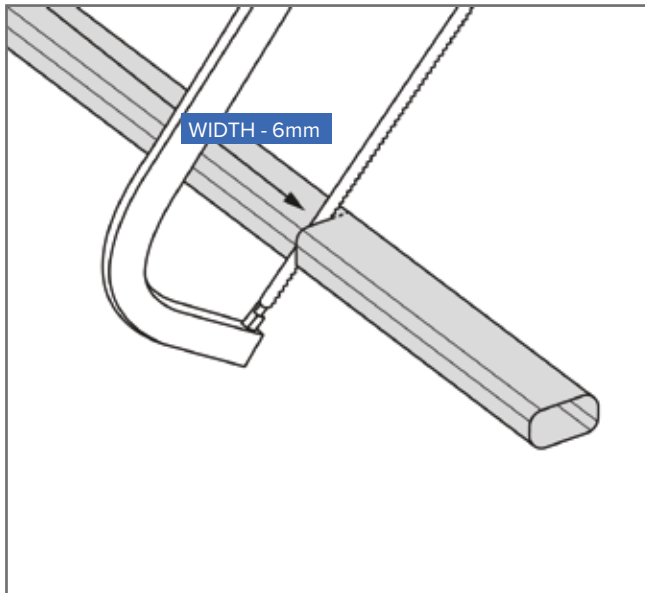
5 Re-measure the opening width for your shelf.



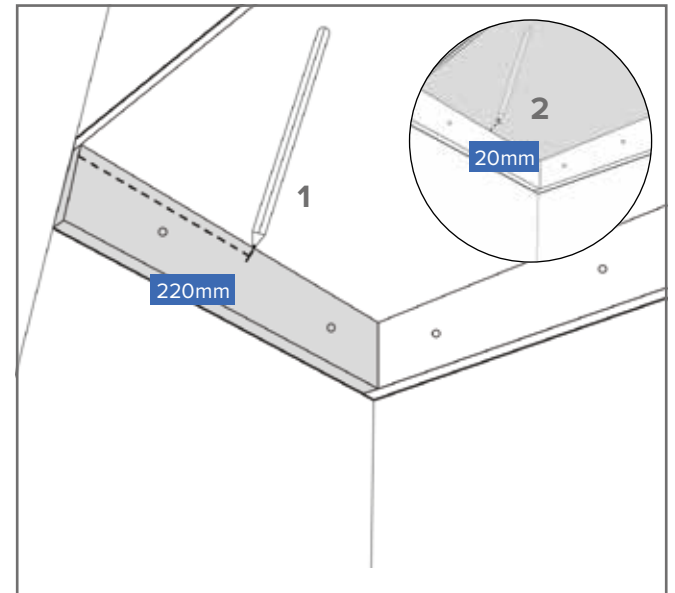
6 Mark and cut the shelf panel using your opening width measurement.



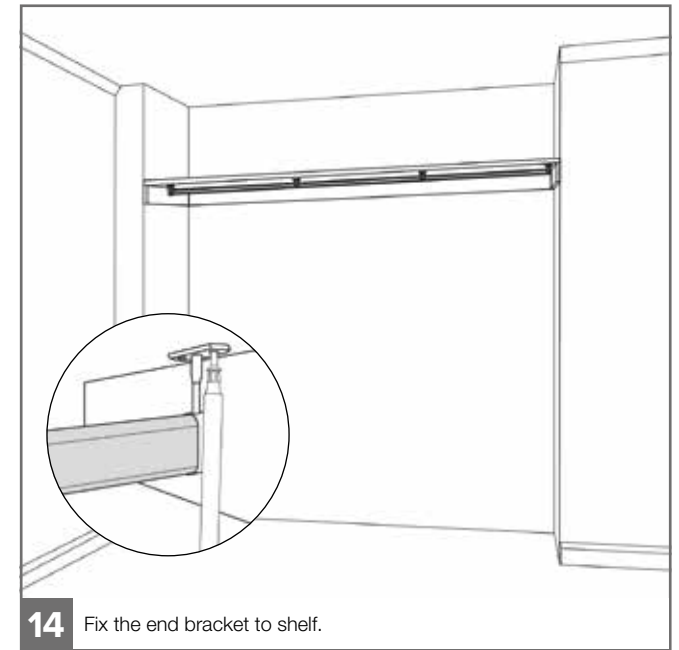
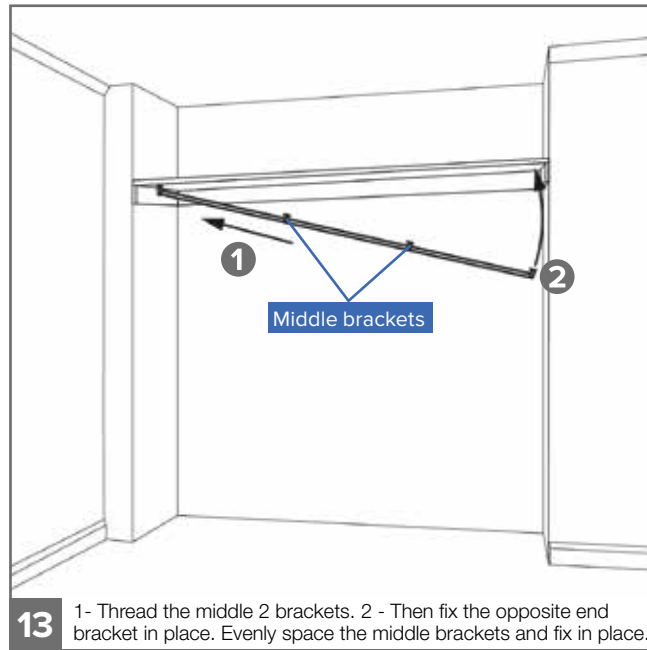
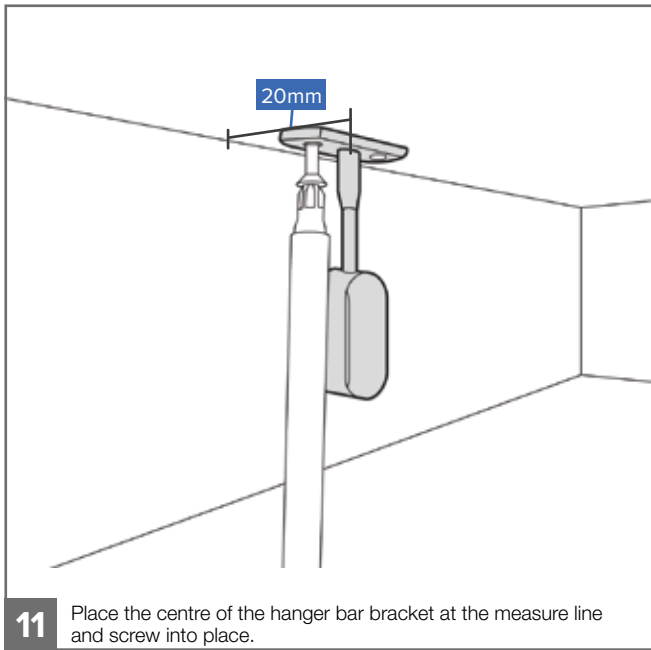
7 1 – Slide the shelf on top of the wall brackets. 2 – Measure the internal space from wall bracket to wall bracket.



8 Measure and cut. i.e: 1200 - 6mm = 1194mm



9 Measure to the centre of your shelf (220mm) on both sides. Then measure in by 20mm.



If your opening space is wider than 1.2m then we recommend fitting the vertical support as well.

