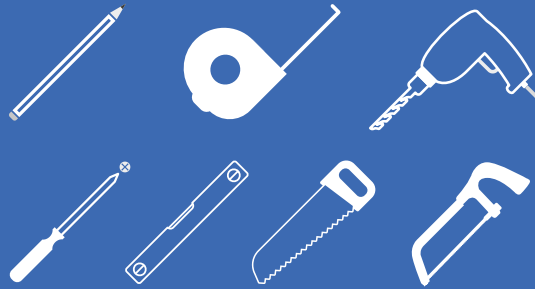


HOW TO FIT END PANELS

Assembly Instructions

TOOLS REQUIRED:

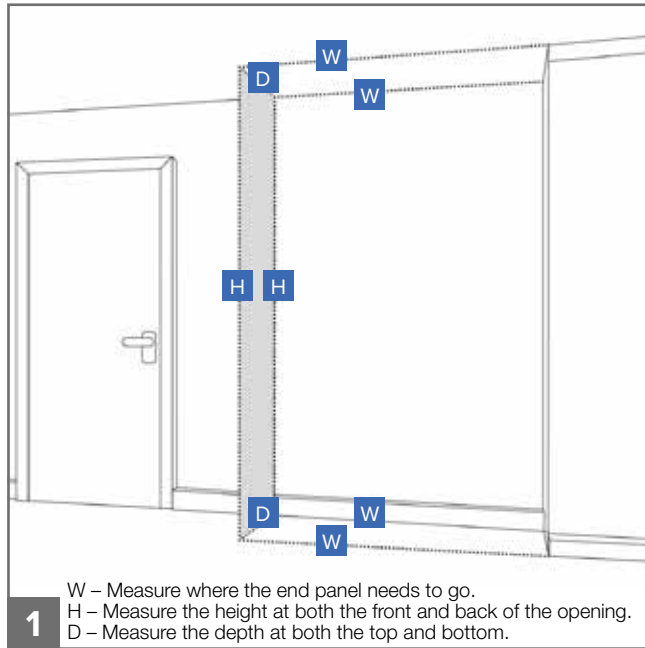


! Please check your opening for any hidden electrical wires and water pipes before / screwing.

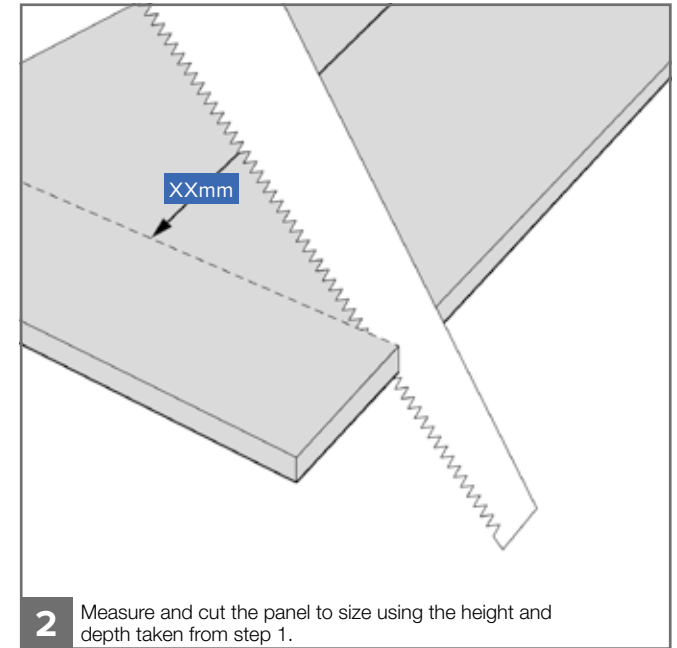
⊘ Screws not supplied. Use suitable screws and plugs.

SCREWFIX
wardrobes.com

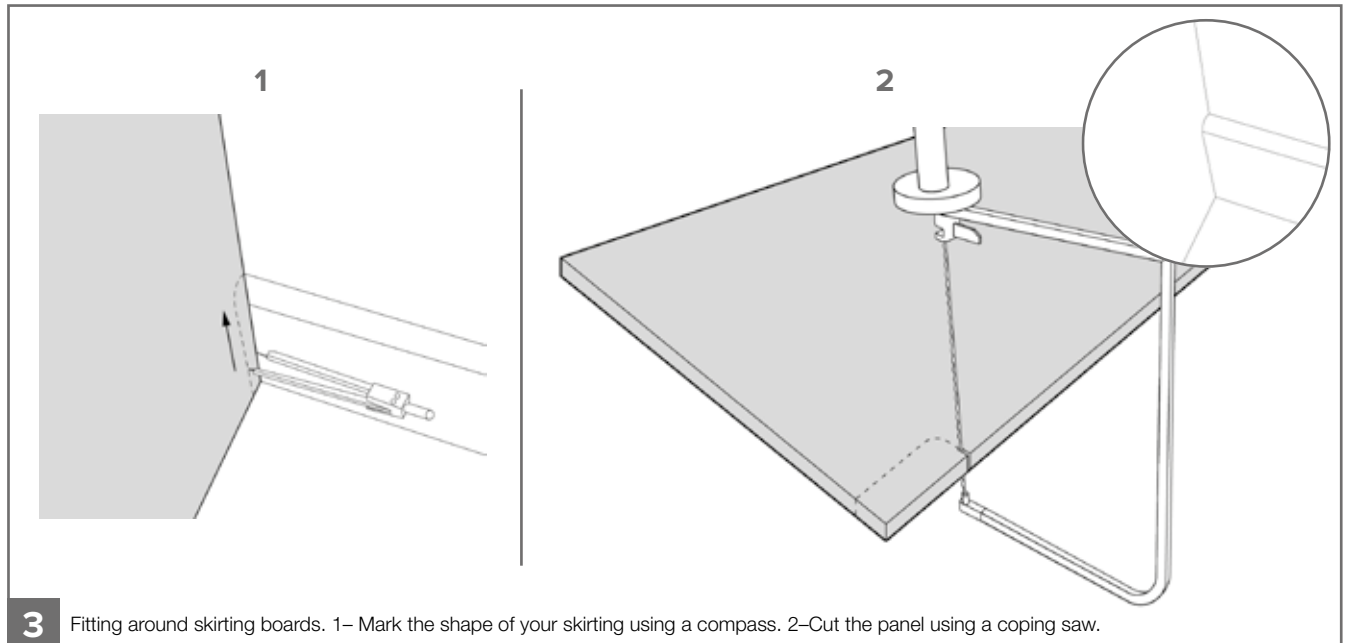
V1



1 W – Measure where the end panel needs to go.
H – Measure the height at both the front and back of the opening.
D – Measure the depth at both the top and bottom.



2 Measure and cut the panel to size using the height and depth taken from step 1.



3 Fitting around skirting boards. 1– Mark the shape of your skirting using a compass. 2–Cut the panel using a coping saw.

