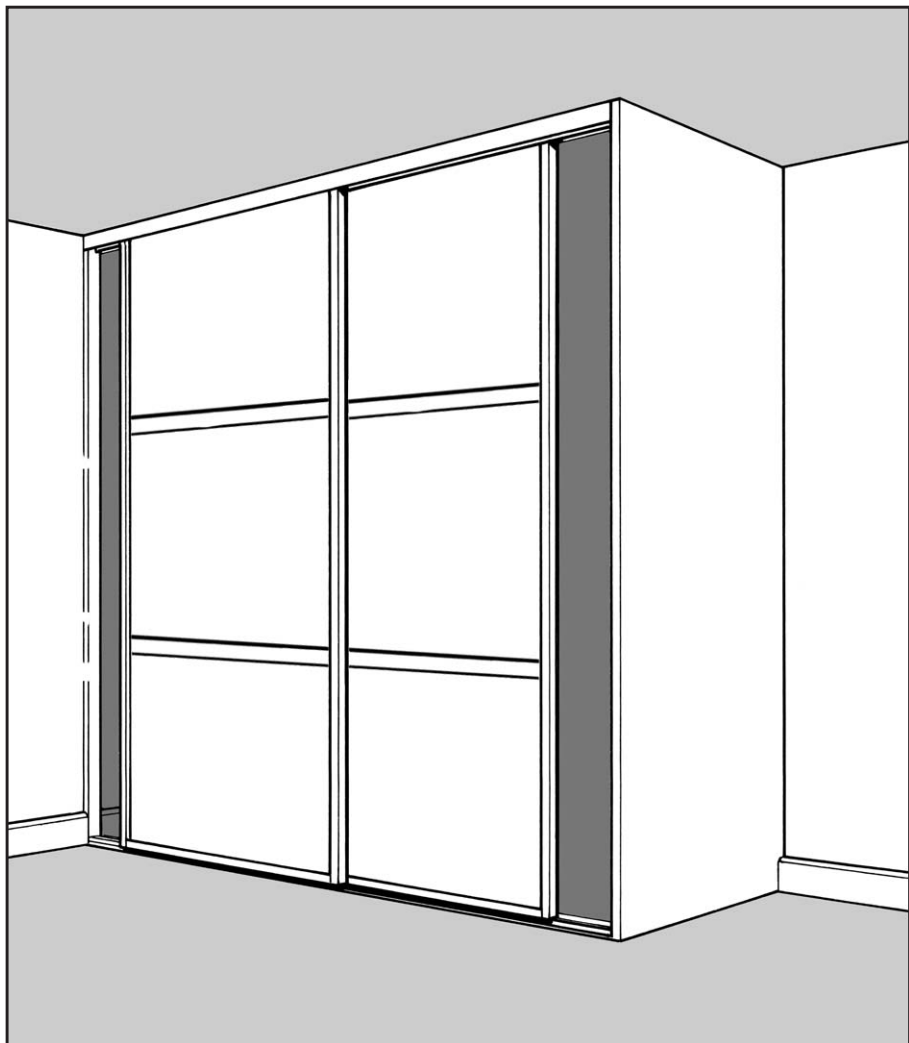


# Installation Instructions

## SPACESLIDE SPLIT PANEL WARDROBE



**Important: Ensure there are no water pipes or electrical cables in the area of the installation**

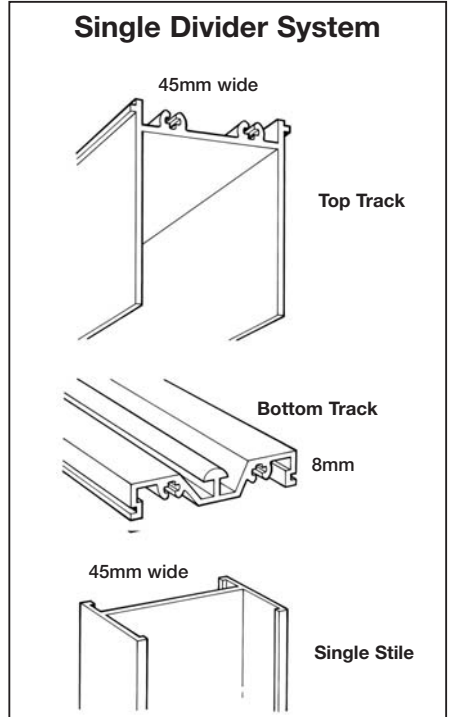
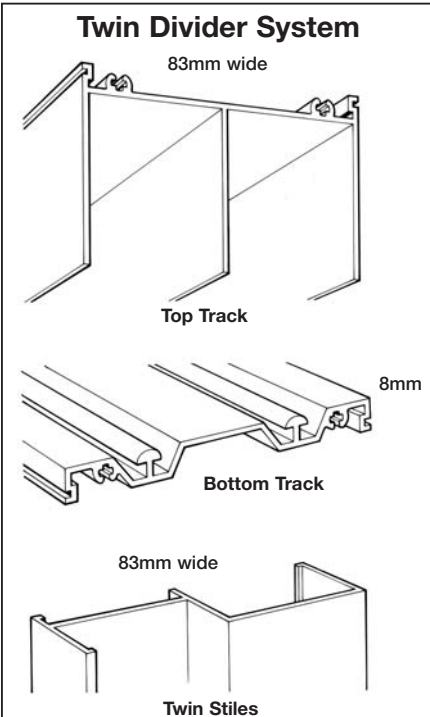
The system is supplied complete with outer frame consisting of twin or single top track, twin or single bottom track and twin or single wall uprights together with door leaves.

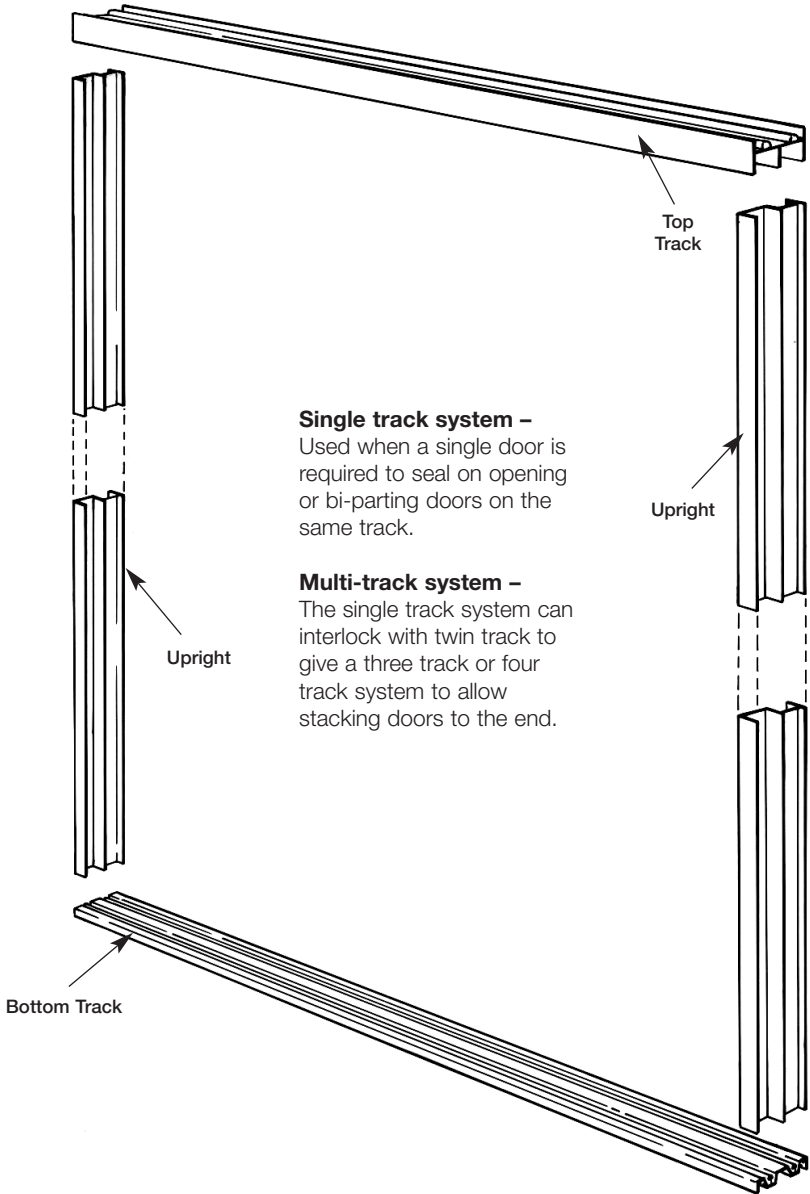
The outer frame profiles are supplied approximately 100mm oversize for cutting down on site to allow accurate installation to aperture on sites. Adjustment of +/- 5mm on designed size can be made to the outer frame.

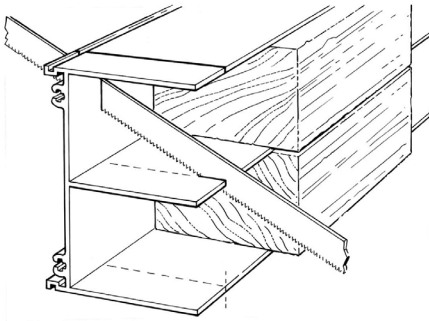
The installation sequence for the outer frame is bottom track cut to order size. Top track is fitted between the outer stiles therefore the cutting size is bottom track size minus 38mm. The outer stiles are installed on top of the bottom track and run full height – cutting size is order size minus 8mm.

**TOOLS REQUIRED:**

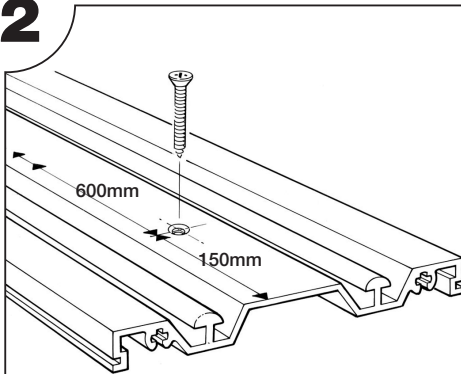
- Power drill/driver
- IF CONCRETE floor: No8 masonry drill bit
- IF TIMBER floor: 4mm steel drill bit
- Spirit level
- Pencil
- Fixing blocks (if installing end panels)
- Posi screwdriver
- Hacksaw, recommend 42 tpi blade (to trim tracksets)
- Woodsaw (to trim liners)
- Screws & fixings to attach tracks & liners to ceiling & floor
- Packing if walls/ceiling are uneven





**1****Step 1****Standard twin track system**

Trim the outer frame to fit the opening (this should not be more or less than 5mm from the nominal manufactured size). Mark the profiles with a set square and cut using a hacksaw as accurately as possible. To assist when cutting insert timber blocks into top track for support, as illustrated.

**2****Step 2****Installing the bottom track**

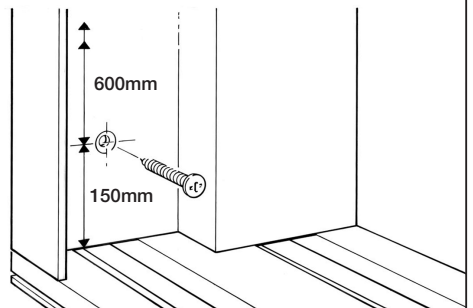
Drill 5mm clearance holes in the centre of the profile, 150mm from each end and at 600mm centres.

Place track in position, use a spirit level to ensure flat and secure to structure – do not overtighten as this may deform the track.

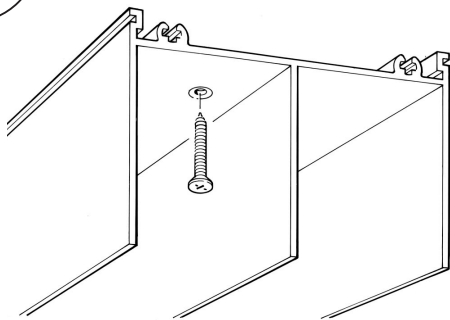
**3****Step 3****Uprights**

Place outer upright in position. If fixing to brickwork mark the position of the fixing holes central on the wall and drill 5mm clearance holes in centre of the profile cavity, 150mm from each end and at 600mm centres.

Using a spirit level ensure the profile is plumb in both directions and secure to structure.



# 4

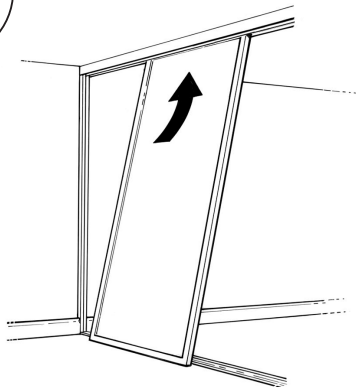


## Step 4

### Installing top track

Drill 5mm clearance holes in either channel. Place in position between outer uprights and secure.

# 5



## Step 5

### Installing doors

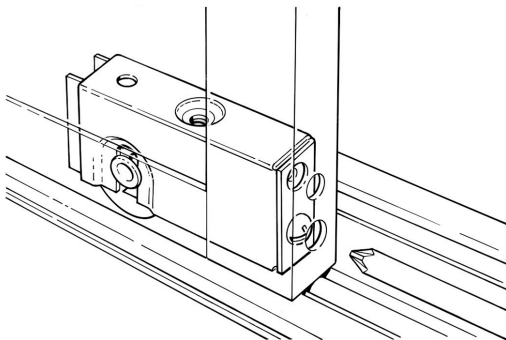
Tilt the door as shown and insert the top rail into the rear channel. Load the rollers onto the rear track. Take care not to scratch the bottom track. Repeat the process with the second door using the front channel and front bottom track.

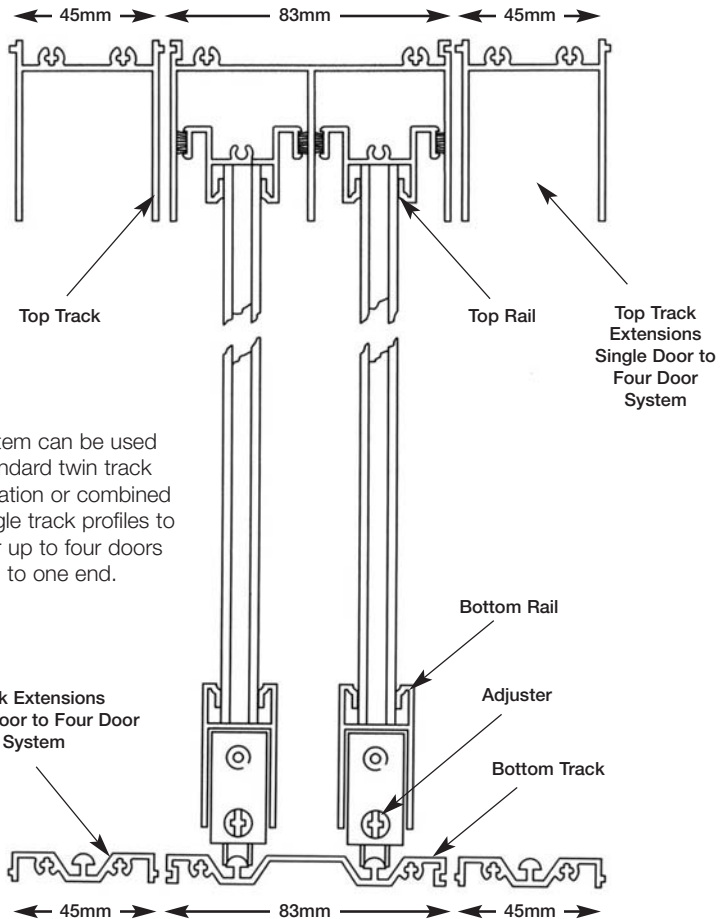
For multidoor systems alternate doors on track.

# 6

## Step 6

**Vertical adjustment of doors** – Use a posidrive screwdriver to raise or lower the roller via the access hole in the bottom of the door stile.





The system can be used as a standard twin track configuration or combined with single track profiles to allow for up to four doors stacking to one end.



Pushing back the boundaries of space

### Spaceslide Showrooms

Northgate, **Aldridge**, Walsall, West Midlands WS9 8TH

T: 01922 743211 - F: 01922 743513 - E: sales@spaceslide.co.uk

Drew House, Ebbens Road, Apsley, **Hemel Hempstead**, Hertfordshire HP3 9QS

Retail: 01442 239900 - Trade: 01442 269963 / 252299 - F: 01442 244121 E: sales@spaceslide.co.uk

www.spaceslide.co.uk