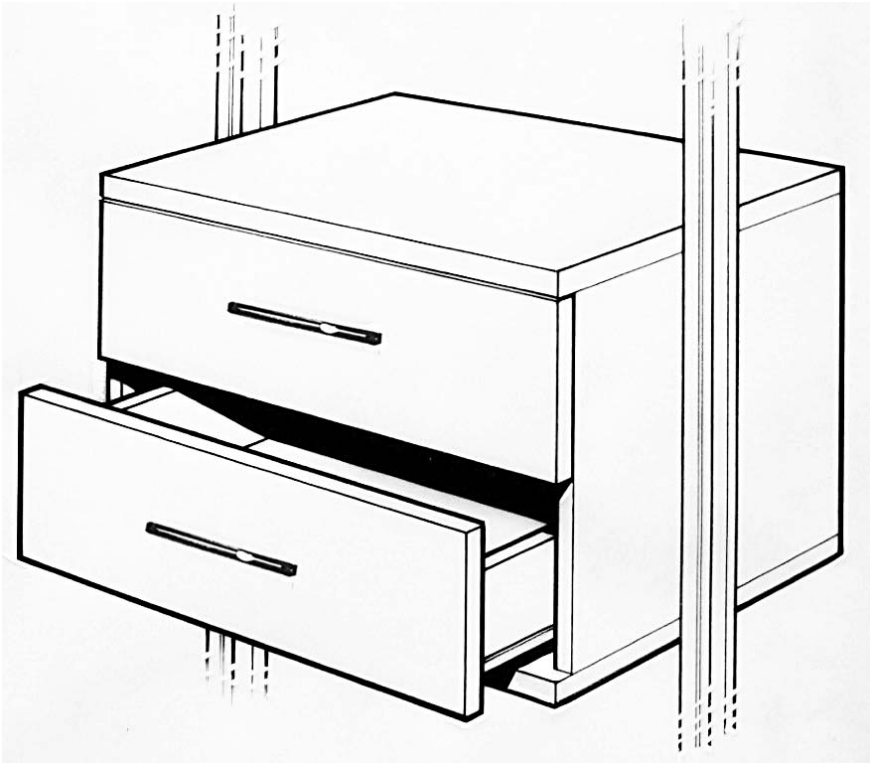


Installation Instructions

HANGING DRAWER UNIT



PREPARATION

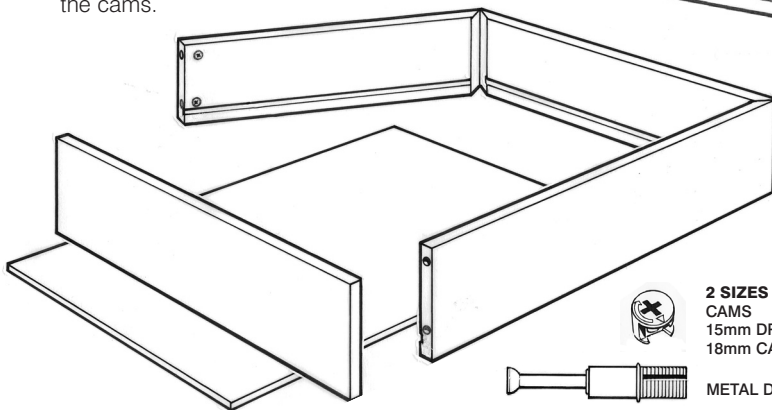
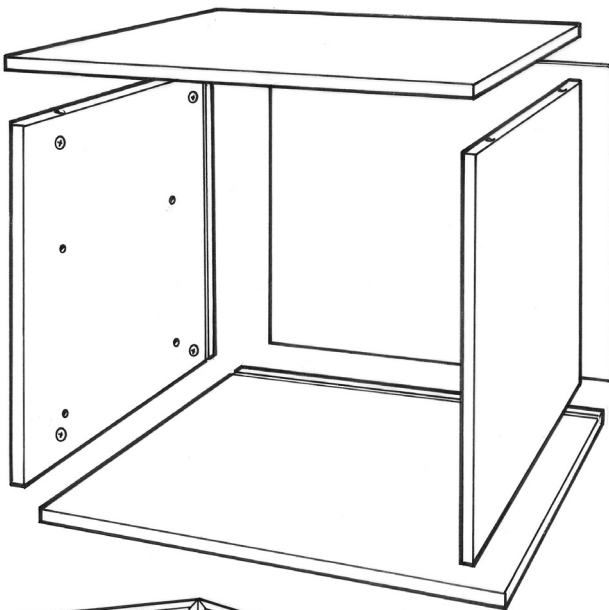
Assemble the drawer unit, on a clean flat area, free from deposits that can scratch the surface.

Familiarise yourself with all the parts.

Follow diagrams for identification of parts.

Take great care not to damage the corners of the panels.

When fitting the clamp screws make sure arrow aligns with the cams.



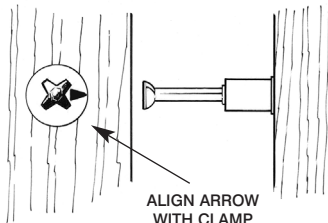
2 SIZES
CAMS
15mm DRAWER WRAPS
18mm CARCASS



METAL DOWEL

You will need a pozi-drive screwdriver for tightening the cams.

A 2mm drill to mark pilot holes in the drawer rails.



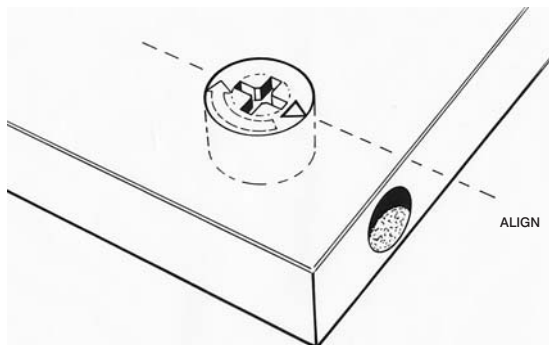
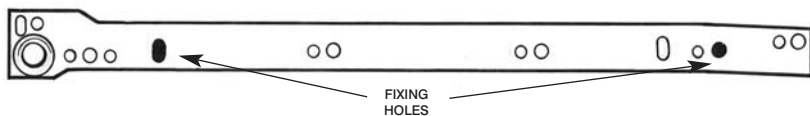
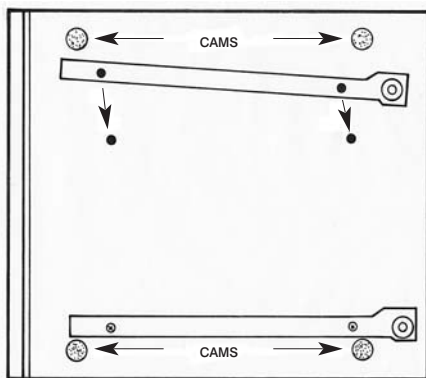
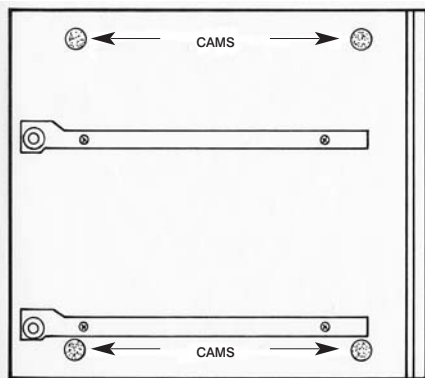
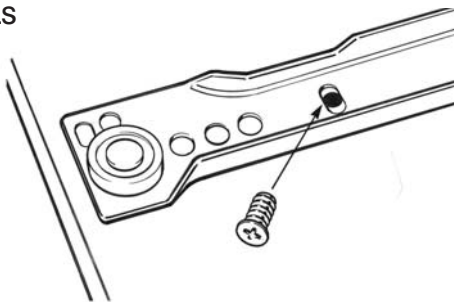
1

PREPARING THE TWO SIDE PANELS

FITTING THE SIDE RAILS

Lay the two panels together on a flat surface (as diagram).

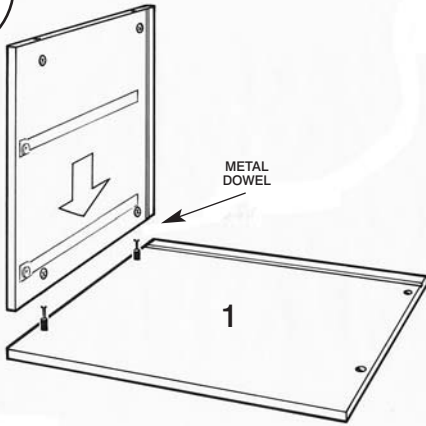
Fix the drawer rails (as diagram) with the euro screws provided into the pre-drilled holes in the side panels.



FITTING THE CAMS

Push in the cam fully.
Align the arrow with the hole in the side.

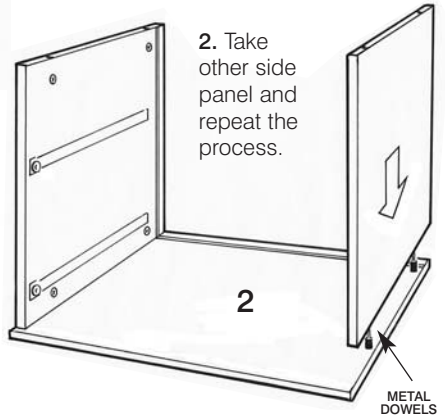
2



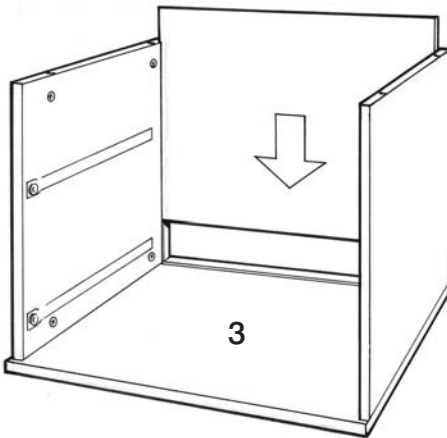
ASSEMBLING THE OUTER FRAME

1. Lay bottom panel (top and bottom panels are the same) flat with the grooves at the back. Push in metal dowels (see diagram) then carefully position side panel over the two holes with the grooves aligning, press down and tighten cam.

3. Slide down the back panel as diagram.

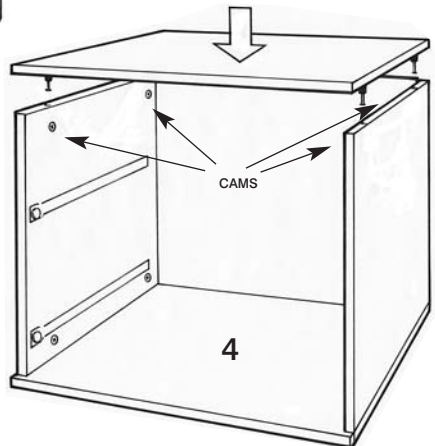


2. Take other side panel and repeat the process.



4. With the groove at the back, push in metal dowels into the top panel. Now lay the top panel over the cams. Press down fully and tighten the cams.

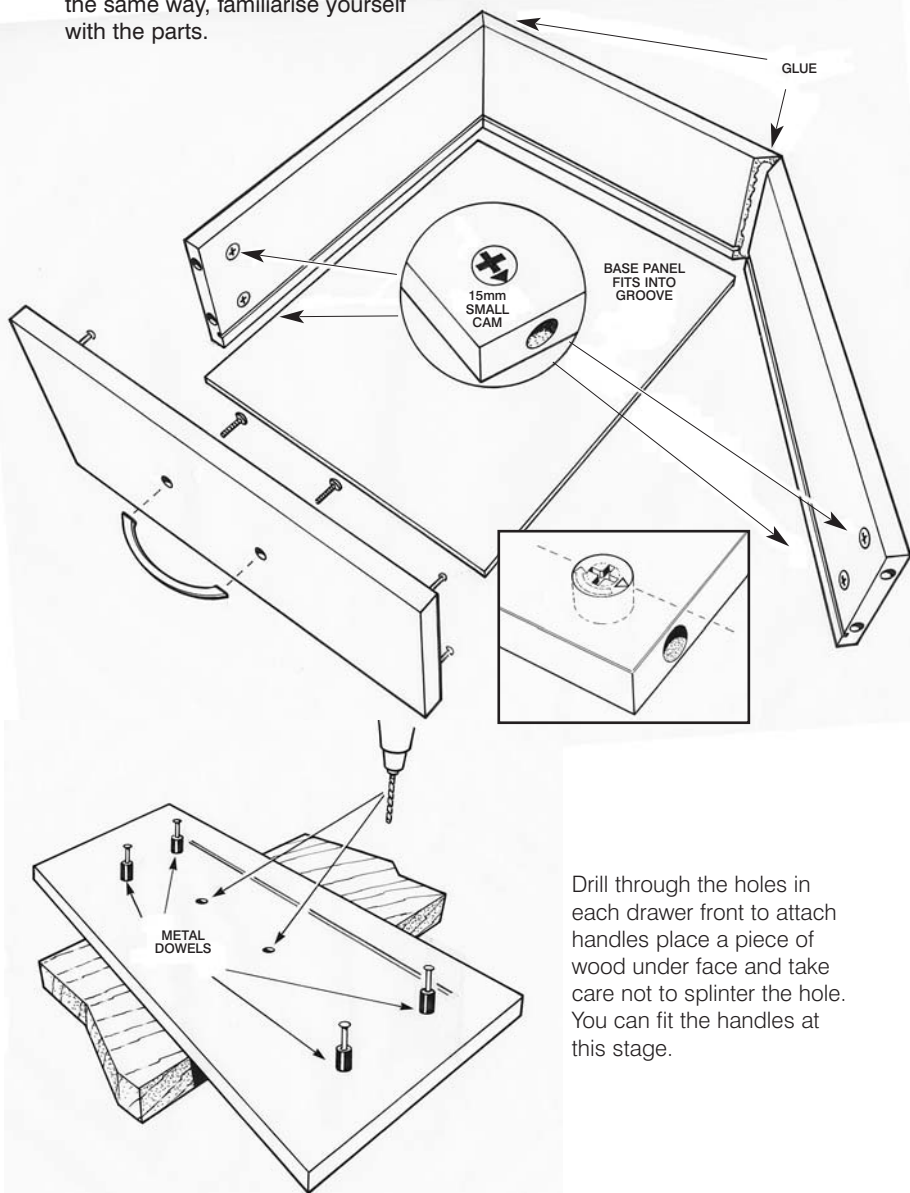
The outer unit is now finished.



3

ASSEMBLING THE DRAWERS

All the drawers are constructed in the same way, familiarise yourself with the parts.



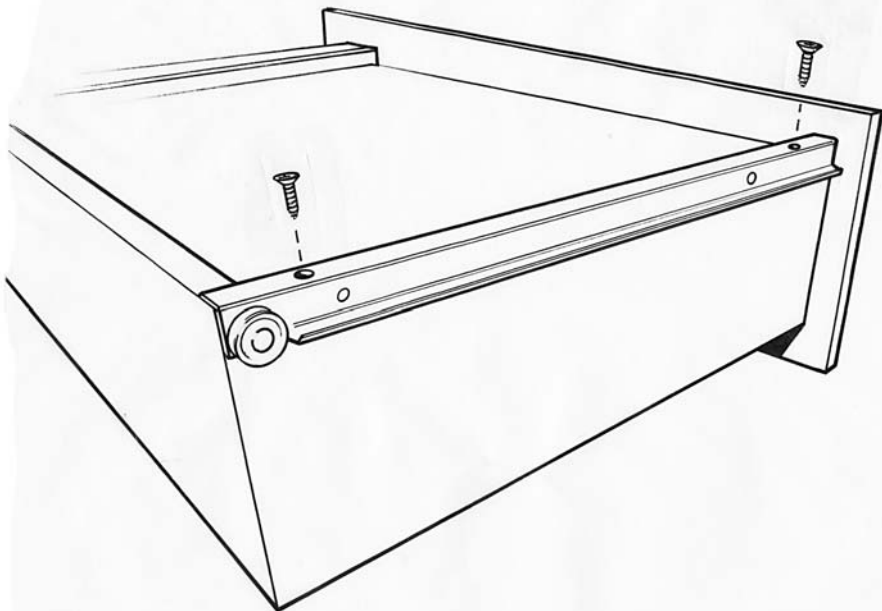
Drill through the holes in each drawer front to attach handles place a piece of wood under face and take care not to splinter the hole. You can fit the handles at this stage.

4

FITTING THE DRAWER RUNNERS

Place runners onto the base of the drawers (see diagram).

Fix the small screws provided you may need to pierce the hard surface to allow the screw to go in easily.



Pushing back the boundaries of space

Spaceslide Showrooms

Northgate, **Aldridge**, Walsall, West Midlands WS9 8TH

T: 01922 743211 - F: 01922 743513 - E: sales@spaceslide.co.uk

Drew House, Ebbens Road, Apsley, **Hemel Hempstead**, Hertfordshire HP3 9QS

Retail: 01442 239900 - Trade: 01442 269963 / 252299 - F: 01442 244121 E: sales@spaceslide.co.uk

www.spaceslide.co.uk

July 2009